



高新技术企业
HI-TECH ENTERPRISE
股票代码: 833948
STOCK CODE: 833948



KINTEP

叠螺式污泥脱水机

SCREW TYPE SLUDGE DEHYDRATOR

Rep.Office in Viet Nam
Tel: +84 243 913 8688
Email: vnhanson@kintep.net



江苏康泰环保股份有限公司
JiangSu Kintep Environmental Protection Co.,Ltd.

地址: 江苏省泰州市医药高新区鑫泰写字楼16楼 电话: 0523-86509999 传真: 0523-89988809

邮箱: kintep@kintep.com

邮编: 225300

网址: www.kintep.com

全国免费热线: 400-710-0588

江苏康泰环保股份有限公司

JIANGSU KINTEP ENVIRONMENTAL PROTECTION CO.,LTD.



目录 CONTENTS

企业文化 Enterprise culture	02
董事长致辞 Chairman address	03
公司简介 About us	04
荣誉资质 Honors & certificates	06
产品概况 Introduction	08
应用场合及优点 Application and advantages	09
主要特点 Key features	10
流程图 Flow chart	11
工作原理 Working principle	12
叠螺优势对比 Screw advantages contrast	14
设备选型 Selection reference	16
运行条件 Operation conditions	17
规格尺寸与重量 Specification of Each model	18
小型一体化叠螺机 Small integration screw sludge dewatering machine	19
定制化车载叠螺污泥脱水平台 Customized vehicle screw sludge dewatering platform	22
预浓缩叠螺污泥脱水机 Prethickening Screw Sludge Dewatering Machine	24
叠螺式污泥浓缩机 Screw sludge thickener	28
典型业绩 Typical cases	32
服务与支持 Service&Support	36
辅助设备 Auxiliary equipment	38
一体化加药装置简介 Integrative Dosing Device Introduction	40

企业文化 Enterprise culture

董事长致辞 Chairman address



■ 企业愿景 Vision

成为国际一流的环保企业

To be a world-class environmental protection enterprise

■ 企业使命 Mission


创新环保技术，美化生态环境

Innovative environmental technology, beautify the ecological environment

■ 价值观 Values

诚信、创新、精进、共赢

Honesty, Innovation, Diligent, All-win

共建美好绿色家园
共创安康祥泰之州


公司简介 About us



江苏康泰环保股份有限公司是一家集污泥处理设备的研发、生产、销售、售后服务和成套解决方案提供为一体国家级高新技术企业。公司于2015年11月6日，正式挂牌“新三板”，股票简称：康泰环保，股票代码：833948。自成立初期公司就明确了深耕污泥处理这一环保细分市场，并把业务分成三大板块：1、新型污泥处理设备；2、污泥处理成套解决方案服务；3、承接污泥处理BOT、PPP项目。

公司现拥有员工90人，研发人员15人，其中博士、硕士各2人，高级工程师3人，中级工程师2人。并与各大知名院校及国内外设计院都保持着良好的合作关系。目前我们的技术已获得4项发明专利、20多项实用新型专利。公司凭借着专业的技术水平，雄厚的经济实力，恪守诚信为本的原则，得了众多客户的信赖，目前产品涉及20多个行业300多家企业，出口20多个国家，在国内全国24个省、直辖市均设有销售网点。公司本着“低碳、环保、安全、高效”的宗旨，融合专业的服务体系和先进的技术水平，致力为国家的环保事业，做出着应有的贡献。

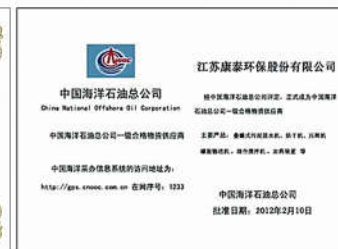
叠螺式污泥脱水机是公司研发的新型污水处理设备，采用多重叠片过滤和螺旋转动推压的方式，低速运转、节水、节电、不易堵塞、操作简单、经久耐用；突破了传统的处理思路，无需浓缩池浓缩污水直接脱水，可以在24小时连续高效无人自动运转；大幅度缩减设计、建设、运行及维护管理成本。

Jiangsu Kintep Environmental Protection Co., Ltd is a national technology enterprise integrates sludge treatment equipment development, production, sales, after-sales service and complete set solution. On Nov 6th, 2015, we officially listed on the "new three board", stock abbreviation: Kintep Environmental Protection, stock code: 833948. Since established, we pay attention to market segment of sludge further dewatering and divide into three major parts: 1. New sludge dewatering machine, 2: complete sludge treatment solution 3. undertake BOT, PPP project.

Now we have 90 employees, 15 R & D personnels, including 2 doctors, 2 masters, 3senior engineers, 2 intermediate engineers, and keep good relationship with well-known colleges and design institutes. Our technology has won 4 invention patents, 20 more utility model patents. We get trust of many customers relay on professional technology, strong economic capabilities and abide honest principle, now our products covers 20 more industries, 300 more enterprises, and export to more than 20 different countries, our sales network throughout 24 province and municipalities in domestic. Based on "low-carbon, environmental protection, safety, high efficiency" principle, gather professional services system and advanced technical level, we devote to environmental production work and make contribution.

Screw sludge dewatering machine is a new device developed by our company, using multiple overlapping filter and screw rotation push, low speed operation, water saving, electricity saving, clog free, easy operation and durable. Break through the traditional way, dewatering without thickener concentration, 24 hours continuous efficient automatic operation; Cut down the cost of design, construction, operation and maintenance.

荣誉资质 Honors & certificates



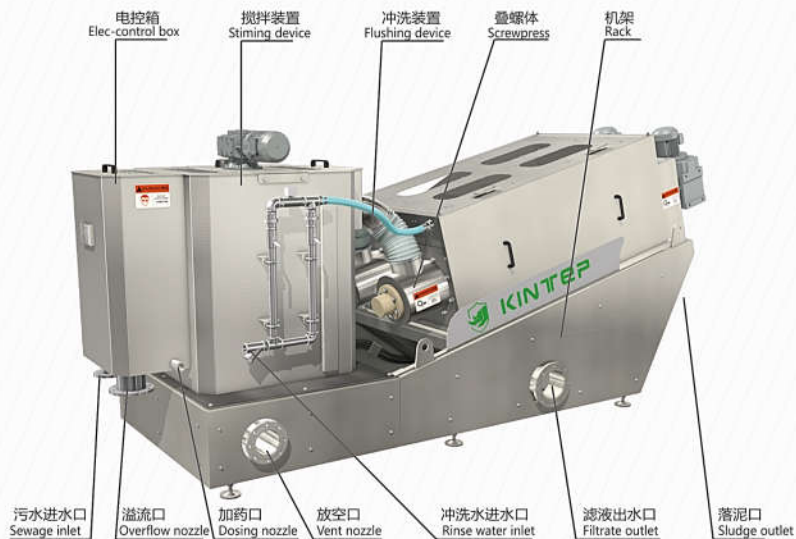
产品概况 Introduction

本公司生产制造的易维护叠螺污泥脱水机，于2010年申报并获得中国发明专利，目前已形成18种规格型号系列，以适应不同的污泥处理量及不同需求的客户。

叠螺污泥脱水机集全自动控制柜、污泥浓缩脱水本体及集液槽于一体，可在全自动运行的条件下，实现高效絮凝，并连续完成污泥浓缩和压榨脱水工作，最终将收集的滤液回流或排放。

Our easy maintenance screw dehydrator, had got Chinese patent since 2010, now it has 18 series to meet various sludge concentration and different customers' demand.

The screw sludge dewatering machine is integrating with auto-control cabinet, sludge thickening & dewatering body liquid collection tank. Therefore, the high efficiency flocculation, continuous sludge concentration, dewatering and filtrate collection can be automatically completed all-in-one, the collected liquid will be reflux or emissions finally.



应用场合及优点 Application and advantages

适用于市政污水、石油炼化、酿造制革、印染造纸、煤化选矿、生化制药、钢铁酸洗、化工制糖、食品加工等。

Application: municipal sewage petro-refining, leather making, printing and dyeing paper, coal-ification dressing, biochemical pharmacy, steel pickling and chemical sugar, food processing etc.

1^优

运行成本低：相当于带式压滤机40%不到，相当于离心脱水机20%不到。

Low operation cost: below 40% of belt press and 20% of centrifuge.

2^优

节电：不到离心机的5%。

Power-saving: less than 5% of centrifuge.

3^优

节水：不到带式压滤机的0.1%。

Water-saving: less than 0.1% of belt filter press.

4^优

省药：平均省药60%。

Saving-drugs : saving around 60 %

5^优

体积小：脱水机房投资省60%以上。

Compact: saving more than 60% of the investment for dehydration room.

6^优

不堵塞：含油脂类纤维类污泥的克星。

Non-clogging: processing the fats & oils and fiber sludge perfectly.

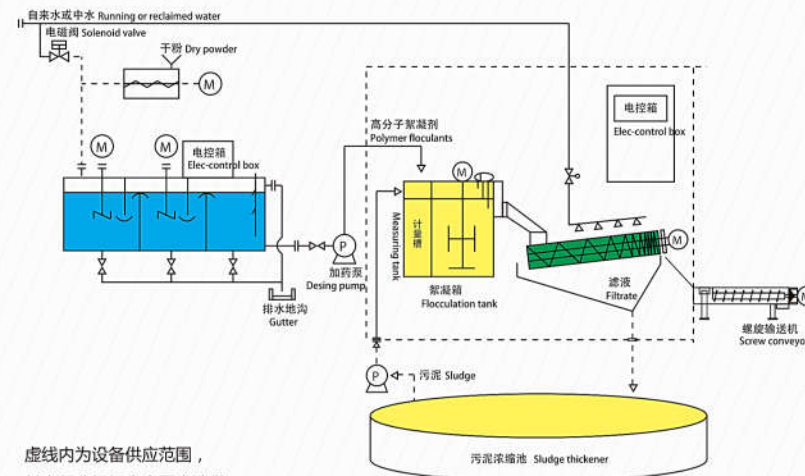
主要特点 Key Features

- 工艺流程简单，污泥脱水高效节能，系统投资小
Simple processing, low investment system, energy-efficient in dewatering
- 系统可进行程序设定，使操作运行方便准确
System can be programmed to make the operation more convenient and accurate
- 独有的絮凝药剂，使污泥更容易脱水
Unique flocculating agent make sludge dewatering easier
- 配药均匀准确，节省运行费用
Uniform and accurate dispensing, saving costs



流程图 Flow chart

污泥浓缩池 SLUDGE THICKENER

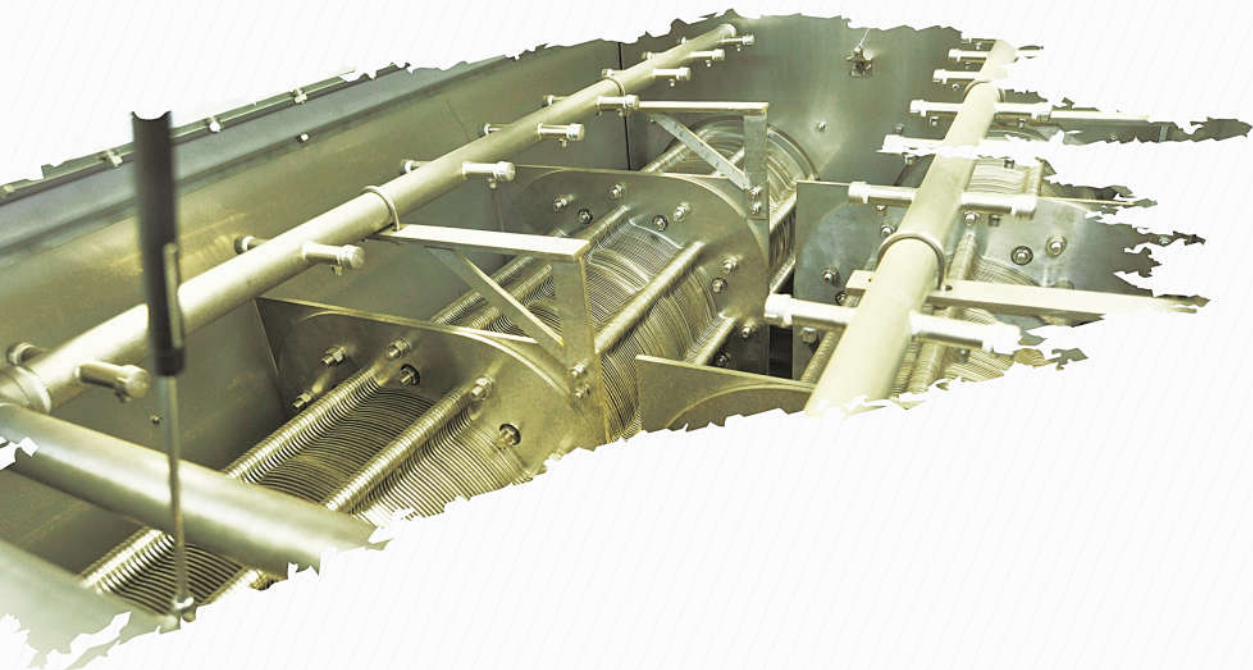


虚线内为设备供应范围，
其它部分根据客户要求选供

This is the supplied parts, the others can be customized.



工作原理 Working principle



设备运行时，污泥从进料口进入滤筒后受到螺旋轴旋片的推送而向卸料口移动，由于螺旋轴旋片之间的螺距逐渐缩小，因此污泥所受的压力也随之不断增大，并在压差作用下开始脱水，水份从固定板与活动板的过滤间隙流出，同时设备依靠固定板和活动板之间的自清洗功能，清扫过滤间隙防止堵塞，泥饼经过充分的脱水后在螺旋轴的推进作用下从卸料口排出。

When the machine starts running, the sludge is pushed into the filter cartridge from the feed inlet and then moves to the sludge cake outlet under the pushing of the helical axis blades. Because the gaps between the helical axis blades will gradually become smaller, so the pressure to the sludge is becoming bigger. Under the differentiation of pressure, water comes out from the gaps between the fixed and moving plates. Relying on the self-cleaning function of the fixed plates and the moving plates, block can be well avoided. At last, the sludge cakes are pushed by helical axis after being fully dewatered and then discharged from the outlet.

FORCE & WATER
CONCURRENT

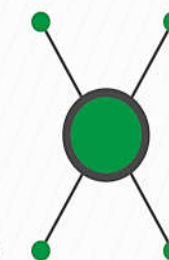
力水同向

水力同向，使自由态水以最快的速度分离
The force and water work in the same direction to make the free water separated with the fastest speed

MODERATE
PRESSURE

适当施压

适当施压，在保证污泥脱水的效果的同时保持最低的能耗及机械磨损
Maintain the lowest energy consumption and mechanical wear while ensuring the sludge dewatering effectively



THIN-LAYER
DEWATERING

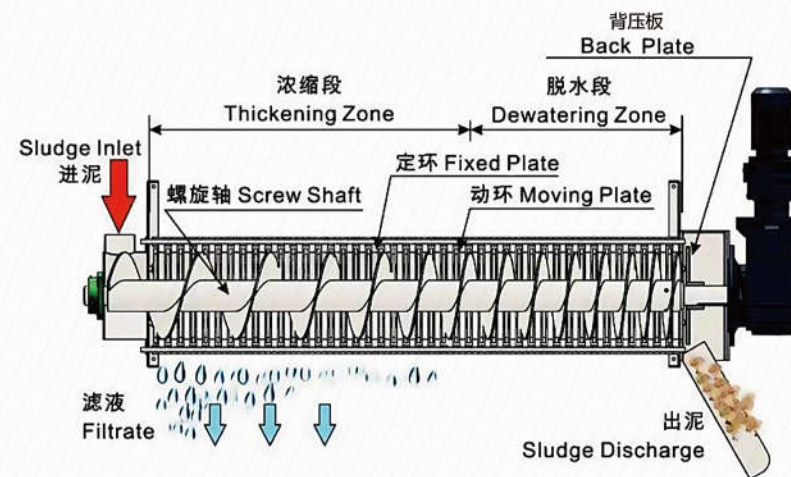
薄层脱水

薄层脱水，使污泥中自由态水走最短的距离从泥水中脱离
Dewatering with thin layer makes the free water separated by a shortest distance

EXTENSION THE
DEWATERING PATH

延长路径

延长脱水路径，既给予污泥在脱水过程中一点的时间量，又保证脱水生产的连续化作业
To allow enough time and continuous operation in dewatering

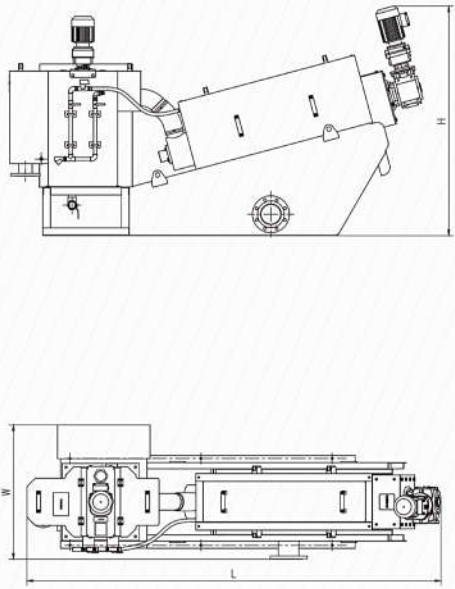


叠螺优势对比 Screw advantages contrast

机种 (Model)		叠螺脱水机 (Volute dehydrater)	带式脱水机 (Belt dehydrater)
构造图 Construction			
脱水原理 Dewatering principle	原理 principle	<p>螺旋压滤 (Screw press)</p> <p>由固定环, 游动环相互层叠, 螺旋轴贯穿其中形成过滤主体。通过重力浓缩以及污泥在推进过程中受到背压板形成的内压作用实现充分脱水, 滤液从固定环和活动环所形成的滤缝排出, 泥饼从脱水部的末端排出。</p> <p>The filter main part is formed by a screw axis with fixing and moving plates overlapping. It dewatered adequately by the gravity and the power from back pressure plate during the process of progradation, the filter comes out from the space between fixing and moving plates, the sludge cake discharged from the discharge outlet.</p>	<p>重力+剪切脱水 (Gravity+shear dewatering)</p> <p>由上下两条张紧的滤带夹带着污泥层, 从一连串有规律排列的辊压筒中呈S形经过, 依靠滤带本身的张力形成对污泥层的压榨和剪切力, 把污泥层中的毛细水挤压出来, 从而实现污泥脱水。</p> <p>The sludge goes through barrels in regular "S" shape by two tension filter Belt upper and down, the sludge dewaterers rely on the force from the tension of filter belt.</p>
	特点 Feature	<p>优点 Advantage</p> <p>能自我清洗, 不堵塞, 低浓度污泥直接脱水, 转速慢, 省电, 无噪音和振动。实现全自动控制, 24小时无人运行。</p> <p>Self cleaning, never plugged, low concentration of sludge dewatering directly. Low speed save electricity, noise and vibration. Realizing automatic, 24 hour unmanned operation.</p>	<p>价格比较低, 目前使用普遍, 技术相对成熟。</p> <p>Lower price, widely used, mature technology.</p>
	缺点 Disadvantage	<p>不擅长颗粒大, 硬度大的污泥脱水, 处理量较小</p> <p>Not good at big granular, and hardness sludge dewatering. Lower processing quantity.</p>	<p>易堵塞, 需要大量的水清洗, 造成二次污染</p> <p>Easily blocked, need lots of water cleaning, cause the secondary pollution.</p>
污泥贮存罐 (sludge tank)		不需要 No need	需要 need
用电量 (power consumption)		非常少 Very little	中 Medium
清洗冲淋水用 Cleaning drench water quantity		非常少 Very little	非常大 Very big
运转噪声、震动 Operating noise, vibration		小 Small	大 Big
维修管理 Maintenance management		操作时间短, 便宜 Short operating time, cheap	操作时间长 Long operating time
污泥粘性要求 Sludge viscous requirements		低 Low (更适宜含油污泥)	要求高 High
絮凝剂 Flocculant		使用 Use	使用 Use
泥饼含水率 Mud cake water content		~80%	>80%
污泥处理率 Sludge processing efficiency		>95%	90-95%
24小时无人连续运行 24 hour self-service running		可以 Yes	不可以 No

机种 (Model)		离心式脱水机 (Centrifugal dehydrater)	板框式脱水机 (plate dehydrater)
构造图 Constructional drawing			
脱水原理 Dewatering principle	原理 principle	<p>离心力脱水 (Centrifugal dewatering)</p> <p>由转载和带空心转轴的螺旋输送机组成, 污泥由空心轴输入转筒, 在高速旋转产生的离心力下, 立即被甩入转鼓腔内。由此比重不一样, 形成固液分离。污泥在螺旋输送器的推动下, 被输送到转鼓的锥端由出口连续排出; 液环层的液体则由堰口连续“溢流”排至转鼓外靠重力排出。</p> <p>Composed by reshment and hollow spiral conveyor, sludge pushes into the drum from hollow axis and dumps into convertible cavity with the centrifugal force from high speed production, solid-liquid separation as different weight. The sludge conveys to the end of convertible cavity and discharged from the port under the push of spiral conveyor, and filtrate overflows by gravity.</p>	<p>加压脱水 (Press dewatering)</p> <p>在密闭的状态下, 经过高压泵打入的污泥经过板框的挤压, 使污泥内的水通过滤布排出, 达到脱水目的。</p> <p>In a sealed condition, the sludge pushes in by high-pressure pump and it dewaterers through the filter cloth under the pressure of sheet frame</p>
	特点 Feature	<p>优点 Advantage</p> <p>处理能力大 Strong processing capacity</p>	<p>价格低廉, 擅长无机污泥的脱水, 泥饼含水率低</p> <p>Low price, good at inorganic sludge dewatering, mud cake's water content is low</p>
	缺点 Disadvantage	<p>噪音大, 振动剧烈, 维修管理困难, 不适于比重接近的固液分离</p> <p>Severe vibration, noisy, Difficult maintenance management, Not suitable for with close proportion solid-liquid separation</p>	<p>易堵塞, 需要使用高压泵, 不适用于油性污泥的脱水, 难以实现联系自动运行</p> <p>Easily blocked, need to use high-pressure pump. Not apply suitable for oily sludge dewatering can't do the continuous auto-operating.</p>
污泥贮存罐 (sludge tank)		需要 Need	需要 Need
用电量 (power consumption)		大 Big	最大 Maximum
清洗冲淋水用 Cleaning drench water quantity		小 Small	小 Small
运转噪声、震动 Operating noise, vibration		大 Big	极大 Very big
维修管理 Maintenance management		操作时间长 Long operating time	操作时间长 Long operating time
污泥粘性要求 Sludge viscous requirements		要求低 Low	中 Medium
絮凝剂 Flocculant		使用 Use	使用 Use
泥饼含水率 Mud cake water content		<80%	~80%
污泥处理率 Sludge processing efficiency		85-95%	90-95%
24小时无人连续运行 24 hour self-service running		不可以 No	不可以 No

设备选型 Selection reference

机型 Model	DS 标准处理量(kg/h) DS (kg/h)		外形图 Profile Drawing
	低浓度 low concentration	高浓度 high concentration	
KTDL131	5	10	
KTDL132	10	20	
KTDL251	15	30	
KTDL252	30	60	
KTDL301	30	60	
KTDL302	60	120	
KTDL303	90	180	
KTDL304	120	240	
KTDL351	50	100	
KTDL352	100	200	
KTDL353	150	300	
KTDL354	200	400	
KTDL401	80	160	
KTDL402	160	320	
KTDL403	240	480	
KTDL404	320	640	

注: 污水浓度小于10000mg/L, 建议进行沉淀浓缩处理; 污水浓度大于25000mg/L, 建议进行稀释处理。
 Note: Pre-concentration for the SS less than 10000mg/L, dilution for the SS more than 25000mg/L

运行条件 Operation conditions

机型	功率 (Kw)			清洗用水压	清洗用水量 (L/h)	维护频度
	螺杆减速机	搅拌减速机	合计			
KTDL131	0.18×1	0.18×1	0.36	>2kg/cm ²	43	10分钟/天
KTDL132	0.18×2	0.18×1	0.54		86	
KTDL251	0.55×1	0.37×1	0.92		58	
KTDL252	0.55×2	0.37×1	1.47		116	
KTDL301	0.75×1	0.55×1	1.3		93	
KTDL302	0.75×2	0.55×1	2.05		186	
KTDL303	0.75×3	0.75×1	3		279	
KTDL304	0.75×4	0.75×1	3.75		372	
KTDL351	1.1×1	0.75×1	1.85		126	
KTDL352	1.1×2	0.75×1	2.95		252	
KTDL353	1.1×3	1.1×1	4.4		378	
KTDL354	1.1×4	1.5×1	5.9		504	
KTDL401	1.5×1	1.5×1	3		115	
KTDL402	1.5×2	1.5×1	4.5		230	
KTDL403	1.5×3	1.5×2	7.5		345	
KTDL404	1.5×4	1.5×2	9		460	



规格尺寸与重量 Specification of Each model

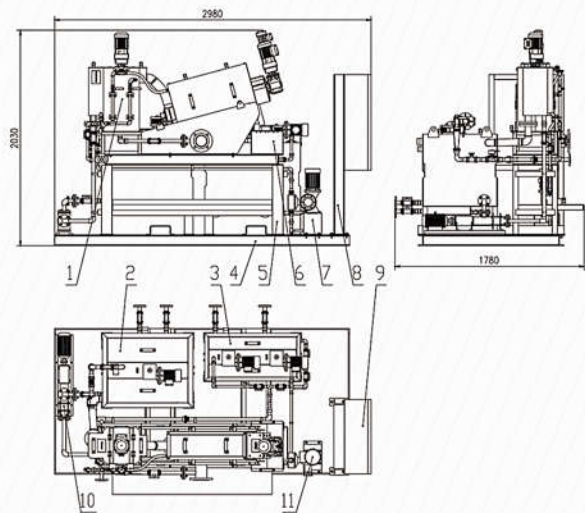
机型	叠螺规格(mm)	外形尺寸(mm)			净重 (kg)	运行重量 (kg)
		长 (L)	宽 (W)	高 (H)		
KTDL131	DN130 × 1180	1870	730	1170	250	395
KTDL132	DN130 × 1180	2000	960	1230	350	595
KTDL251	DN250 × 1760	2690	880	1600	500	805
KTDL252	DN250 × 1760	2810	1120	1600	800	1320
KTDL301	DN300 × 2220	3310	1000	1700	750	1275
KTDL302	DN300 × 2220	3500	1300	1700	1340	2225
KTDL303	DN300 × 2220	3700	1650	1700	1750	3030
KTDL304	DN300 × 2220	4000	2050	1750	2150	4150
KTDL351	DN350 × 2480	3610	1100	1850	1150	1915
KTDL352	DN350 × 2480	3820	1490	1850	1950	3205
KTDL353	DN350 × 2480	4120	1770	1850	2800	4830
KTDL354	DN350 × 2480	4320	2290	1850	3700	6515
KTDL401	DN400 × 3100	4550	1180	2250	2050	3425
KTDL402	DN400 × 3100	4870	1710	2250	3850	6645
KTDL403	DN400 × 3100	4790	2550	2250	5400	9710
KTDL404	DN400 × 3100	4840	3140	2250	7000	12960

小型一体化叠螺机 Small integration screw sludge dewatering machine

■ KTYTDL-131

序号NO.	名称Name	规格参数Specification	数量Qty	单位Unit
1	131叠螺式污泥脱水机 screw sludge dewatering machine	型号: KTDL131, 功率: 0.36Kw Model: KTDL131, Power: 0.36Kw	1	台 set
2	污泥稀释箱 Sewage dilution tank	容积: 340L, 功率: 0.75Kw Capacity: 340L, Power: 0.75Kw	1	台 set
3	搅拌加药箱 Mix dosing tank	容积: 115 × 2 = 230L (一用一备), 功率: 1.5Kw Capacity: 115 × 2 = 230L (parallel connection system), Power: 1.5Kw	1	台 set
4	系统平台 System Platform		1	台 set
5	叠螺支撑架 Volute support frame		1	台 set
6	落泥斗 Hopper		1	台 set
7	计量泵支架 Metering pump support		1	台 set
8	电控箱支撑架 Electric control box support frame		1	台 set
9	电控箱 Electric control box	外尺寸: 700 × 250 × 900 (长 × 宽 × 高, 单位: mm) External Dimension: 700 × 250 × 900 (L × W × H, Unit: mm)	1	台 set
10	G型单螺泵 G Type Single Crew Pump	型号: G20-1, 功率: 0.75Kw Model: G20-1, Power: 0.75Kw	1	台 set
11	GM隔膜系列计量泵 GM Diaphragm Dosing Pump	型号: GM 80/0.7, 功率: 0.37Kw Model: GM 80/0.7, Power: 0.37Kw	1	台 set





■ 产品介绍 Introduction

本设备可以通过手动调节以适应不同性质的污泥。可以用来处理少量的污泥以及客户现场的样机实验，整个系统具有可移动性，装卸方便，便于运输，避免了现场接管的繁琐，减少了占地面积。

According to the market demand, we have developed a small integration screw sludge dewatering machine, sewage treatment system with sludge dilution, dosing device and sludge dewatering. It can be used to deal with a small amount of sludge and the prototype experiment in customer scene. This equipment can be manually adjusted to adapt to the sludge of different nature. The whole system has a mobility, loading and unloading of convenient, easy to transport, to avoid the scene to take over the tedious, reduces the area.

■ 设备原理 Principle

污泥通过污泥稀释箱进行稀释，稀释后的污泥通过螺杆泵打入叠螺式污泥脱水机的搅拌箱。加药装置采用手动加药装置，加药箱箱体中间被隔成两段相互独立的加药箱，一用一备，加药装置泡好的药通过计量泵与污泥同时打进叠螺的搅拌箱进行絮凝，絮凝后的矾花经过叠螺主体脱水形成泥饼排出到落泥斗。可以通过调节阀来调节进泥，进药的流量，整个控制系统集成到一个电控箱内，方便调试。

Sewage dilute through dilution tank, then put into the mixing box of screw sludge dewatering machine by screw pump. Dosing device is manual. In the middle of dosing tank, it is separated into two independent cabinet.

■ 应用场合 Applications

- (1) 适用于小处理量的污泥脱水系统，
 - (2) 满足客户现场的上机实验，方便客户对污泥的处理结果进行评估
 - (3) 适用于污泥脱水场地的频繁变更，通过卡车运输来处理不同场地的污泥脱水。
- (1) Suitable for small capacity of sludge dewatering system
 - (2) Satisfy customer on-site hands-on lab, convenient for the customer to evaluate sludge processing results.
 - (3) Suitable for different kind of working field, it can be transported by a truck.

■ 产品特点 Advantage

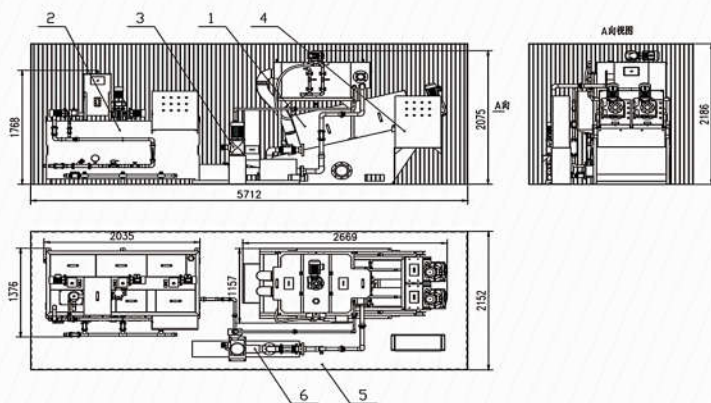
- (1) 工艺简单，占地少、投资省，技术成熟、运行可靠
 - (2) 系统集成性高，方便现场进行调节
 - (3) 能自我清洗，不堵塞，无需高压反冲洗水
 - (4) 能耗低，降低客户运行成本
 - (5) 系统的移动性强，有利于去处理不同场地的污泥。
 - (6) 易损部件少，维修成本低，使用寿命长
- (1) Simple process, small floor area, small investment mature technology, reliable operation.
 - (2) High system integration, easy to adjust on site.
 - (3) Self-cleaning, non-clogging, without high pressure backwash water.
 - (4) Low energy consumption, reduce customer operating costs.
 - (5) Strong mobility, help to deal with different kind of sludge.
 - (6) Less vulnerable parts, low maintenance cost, long service life.



定制化车载叠螺污泥脱水平台 Customized vehicle screw sludge dewatering platform

■ KTCZDL302

序号 NO.	名称 Name	规格参数 Specification	数量 Qty	单位 Unit	选型/备注 Model selection
1	车载式叠螺污泥脱水机 vehicle screw sludge dewatering platform	处理量60-120Kg-DS/h, 总功率2.05Kw A capacity of 60 -120Kg-DS/h, total power 2.05 Kw	1	台 set	KTCZDL302
2	一体化加药装置 Integration of dosing device	容积1000L, 总功率2.43Kw Volume 1000 L, the total power 2.43 Kw	1	台 set	KTYTH1000
3	隔膜式计量泵 Diaphragm metering pump	流量850L/h, 功率1.1KW Flow 850 L/h, power 1.1 KW	1	台 set	GB850Q.5
4	控制柜 control cabinet	220 × 600 × 800	1	台 set	外尺寸 outer dimension
5	车厢 carriage	5690 × 2130 × 2180	1	台 set	内尺寸 inner dimension
6	潜污泵 submersible sewage pump	流量Flow 6m³/h	1	台 set	



■ 产品介绍 Introduction

定制化车载叠螺污泥脱水平台是将污泥处理所需的所有设备安装在集装箱货柜内, 实现污泥处理设备的灵活移动, 方便现场作业。

Customized vehicle screw sludge dewatering platform installs all sludge handling equipment in a container, to realize the flexible movement of sludge treatment equipment, convenient operation on site.

■ 设备原理 Principle

定制化车载叠螺污泥脱水平台由车载式叠螺污泥脱水机、加药装置、加药泵、污泥泵、电控柜等构成, 污泥通过螺杆泵打入叠螺式污泥脱水机的搅拌箱。加药装置采用手动加药装置, 加药装置泡好的药通过计量泵与污泥同时打进叠螺的搅拌箱进行絮凝, 絮凝后的矾花经过叠螺主体脱水形成泥饼排出到落泥斗, 以上设备按设计要求固定在集装箱货柜内, 并连接好管路, 所有设备统一接线到电控柜进行自动控制。

Customized vehicle screw sludge dewatering platform is composed of screw sludge dehydrator, dosing device, dosing pump, sludge pump and electric control cabinet, sludge is pumped into screw sludge dewatering machine mixing tank. Dosing device adopts manual operation, chemical through metering pump into flocculation box together with sludge, flocculation alum flowers after screw body dehydration to mud cake discharge to the bucket, the above equipment fixed inside the container, according to design requirements and connecting piping, all parts are connected to the electrical control cabinet for automatic control.

■ 应用场合 Application

对河道污泥处理、生活污水处理、养殖场等污泥集中处理工程的污泥处理, 定制化车载叠螺污泥脱水平台可以直接前往污泥所在地, 就地进行处理。

River sludge treatment, domestic sludge treatment, livestock sludge concentration treatment, customized vehicle screw sludge dewatering platform can directly to the sludge site for processing.

■ 产品优点 Advantages

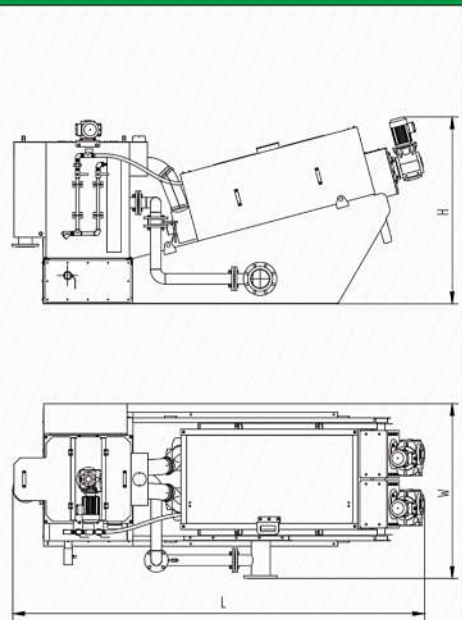
1. 工艺简单, 占地少、投资省, 技术成熟、运行可靠;
 2. 系统集成性高, 方便现场进行调节;
 3. 能自我清洗, 不堵塞, 无需高压反冲水;
 4. 能耗低, 降低客户运行成本;
 5. 系统的移动性强, 有利于去处理不同场地的污泥;
 6. 易损部件少, 维修成本低, 使用寿命长。
1. Simple process, small area cover, save investment, mature technology, reliable operation;
 2. High integration system, adjustable;
 3. Self cleaning, clog free, without high pressure reverse wash water;
 4. Low energy consumption, reduce customer operating costs;
 5. Strong system mobility, help to deal with different location sludge;
 6. Less vulnerable parts, low maintenance cost, long service life.

预浓缩叠螺污泥脱水机

Prethickening Screw Sludge Dewatering Machine

■ 选型 Selection Reference

机型 Model	DS 标准处理量 (kg/h) DS (kg/h)		外形图 Profile Drawing
	低浓度 low concentration	高浓度 high concentration	
	KTYDL302	60	
KTYDL303	90	180	
KTYDL304	120	240	
KTYDL351	50	100	
KTYDL352	100	200	
KTYDL353	150	300	
KTYDL354	200	400	
KTYDL401	80	160	
KTYDL402	160	320	
KTYDL403	240	480	
KTYDL404	320	640	



■ 规格尺寸与重量 Specification and weight

机型 Model	叠螺体规格(mm) Screw body size(mm)	外形尺寸 (mm) Overall Dimension (mm)			净重 (kg) Net Weight (kg)	运行重量 (kg) Operating Weight (kg)
		长 (L)	宽 (W)	高 (H)		
KTYDL302	DN300 × 2220	3460	1520	1680	1608	2670
KTYDL303	DN300 × 2220	3630	1870	1690	2100	3636
KTYDL304	DN300 × 2220	3960	2290	1710	2580	4980
KTYDL351	DN350 × 2480	3610	1400	1910	1380	2298
KTYDL352	DN350 × 2480	3820	1710	1910	2340	3846
KTYDL353	DN350 × 2480	4120	2070	1910	3360	5796
KTYDL354	DN350 × 2480	4320	2590	1910	4440	7818
KTYDL401	DN400 × 3100	4550	1510	2280	2460	4110
KTYDL402	DN400 × 3100	4870	2030	2280	4620	7974
KTYDL403	DN400 × 3100	4790	2870	2280	6480	11652
KTYDL404	DN400 × 3100	4840	3470	2280	8400	15552

■ 运行条件 Operation Conditions

机型 Model	功率 (Kw) Power (Kw)			清洗用水压 Rinsing Water Pressure	清洗用水量 (L/h) Rinsing Water Consumption(L/h)	维护频率 Maintain Frequency
	叠螺体减速电机 Screw Motor	搅拌减速电机 Mixing Motor	合计 Total			
KTYDL302	0.75 × 2	0.55 × 1	2.05	> 2kg/cm ²	186	10 分钟/天 10 min/d
KTYDL303	0.75 × 3	0.75 × 1	3		279	
KTYDL304	0.75 × 4	0.75 × 1	3.75		372	
KTYDL351	1.1 × 1	0.75 × 1	1.85		126	
KTYDL352	1.1 × 2	0.75 × 1	2.95		252	
KTYDL353	1.1 × 3	1.1 × 1	4.4		378	
KTYDL354	1.1 × 4	1.5 × 1	5.9		504	
KTYDL401	1.5 × 1	1.5 × 1	3		115	
KTYDL402	1.5 × 2	1.5 × 1	4.5		230	
KTYDL403	1.5 × 3	1.5 × 2	7.5		345	
KTYDL404	1.5 × 4	1.5 × 2	9	460		

■ 产品介绍 Introduction

预浓缩叠螺污泥脱水机在普通叠螺机的基础上增加了预浓缩装置，提高了被挤压污泥的含固率，提高了脱水效率。

Prethickening screw sludge dewatering machine has increased prethickening device on the base of common screw press dewatering machine, improved the solid content of jammed sludge, improve the dehydration efficiency.

■ 设备原理 Principle

预浓缩叠螺污泥脱水的主体由多重固定环和游动环构成，螺旋轴贯穿其中形成的过滤装置。前段为浓缩段，后段为脱水段，将污泥的浓缩和压榨脱水工作在一筒内完成，以独特微妙的滤体模式取代了传统的滤布和离心方式。

污泥在浓缩部经过重力浓缩后，被运输到脱水部，在前进的过程中随着滤缝和螺距的逐渐变小，以及背压板的阻挡，产生极大的压力，容积不断缩小，达到充分脱水的目的。

Main body of the prethickening screw sludge machine consists of fixed rings and moving rings, a filtration device including screw shaft. Forepart is thickening zone, posterior is dewatering zone, work together with concentration and dehydration in one cylinder, instead of traditional filter cloth and centrifugal style with unique filter model.

Concentrated with gravity, pushed into dewatering zone. The gaps between the rings and screw pitch are designed to gradually become narrower, and the inner pressure due to the volume compression effect, which thickens and dewater the sludge.

■ 应用场合 Application

适用于市政污水、石油炼化、酿造制革、印染造纸、煤化选矿、生化制药、钢铁酸洗、化工制糖、食品加工、屠宰养殖等行业的低浓度污水的污泥脱水。

Municipal sewage, petro-refining, leather making, dyeing and paper making, coalification dressing, biochemical pharmacy, steel pickling, chemical sugar, food processing, slaughterhouse, such as the low concentration sewage.

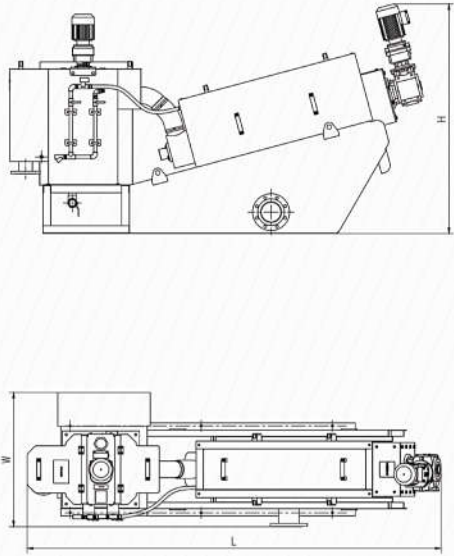
■ 产品优点 Advantages

- | | |
|--------------|--|
| 1. 结构设计独特; | 1. Unique structure design |
| 2. 设备不易堵塞; | 2. Non-clogging |
| 3. 连续自动运行; | 3. Operate automatically |
| 4. 节省运行费用; | 4. Low operation cost |
| 5. 没有二次污染; | 5. Non secondary pollution |
| 6. 机体轻巧耐用; | 6. Light and durable |
| 7. 节省工程投资费用; | 7. Save project investment cost |
| 8. 提升除磷功能。 | 8. Improve phosphorus removal function |

叠螺式污泥浓缩机

Screw sludge thickener

■ 设备选型 Model selection

型号 Model	DS 标准处理量(kg/h)		外形图 Outside drawing
	低浓度 low concentration	高浓度 high concentration	
KTNDL131	10	20	
KTNDL132	20	40	
KTNDL133	30	60	
KTNDL251	30	60	
KTNDL252	60	120	
KTNDL253	90	180	
KTNDL301	60	120	
KTNDL302	120	240	
KTNDL303	180	360	
KTNDL304	240	480	
KTNDL351	100	200	
KTNDL352	200	400	
KTNDL353	300	600	
KTNDL354	400	800	
KTNDL401	160	320	
KTNDL402	320	640	
KTNDL403	480	960	
KTNDL404	640	1280	

■ 规格尺寸与重量 Dimension and weight

机型 Model	叠螺体规格 (mm)Screw body size	外形尺寸 Outline Dimension (mm)			净重 NW (kg)	运行重量 Operation weight (kg)
		长 length (L)	宽 width (W)	高 height (H)		
KTNDL131	DN130 × 1180	1870	740	1170	250	395
KTNDL132	DN130 × 1180	2000	960	1230	350	595
KTNDL133	DN130 × 1180	2000	1190	1230	450	795
KTNDL251	DN250 × 1760	2690	880	1600	500	805
KTNDL252	DN250 × 1760	2810	1120	1600	800	1320
KTNDL253	DN250 × 1760	2810	1360	1600	1100	1820
KTNDL301	DN300 × 2220	3310	1000	1680	750	1275
KTNDL302	DN300 × 2220	3460	1270	1680	1340	2225
KTNDL303	DN300 × 2220	3630	1620	1690	1750	3030
KTNDL304	DN300 × 2220	3960	2040	1710	2150	4150
KTNDL351	DN350 × 2480	3610	1100	1910	1150	1915
KTNDL352	DN350 × 2480	3820	1410	1910	1950	3205
KTNDL353	DN350 × 2480	4120	1770	1910	2800	4830
KTNDL354	DN350 × 2480	4320	2290	1910	3700	6515
KTNDL401	DN400 × 3100	4550	1160	2280	2050	3425
KTNDL402	DN400 × 3100	4870	1680	2280	3850	6645
KTNDL403	DN400 × 3100	4790	2520	2280	5400	9710
KTNDL404	DN400 × 3100	4840	3120	2280	7000	12960

■ 运行条件 Operation Conditions

机型 Model	功率 Power (Kw)			清洗水压 clean water pressure	清洗用水量 clean water quantity (L/h)	维护频率 Maintenance frequency
	叠螺体减速机 Screw motor	搅拌减速机 mixing motor	合计 Total			
KTNDL131	0.18 × 1	0.18 × 1	0.36	>2kg/cm ²	43	10分钟/天
KTNDL132	0.18 × 2	0.18 × 1	0.54		86	
KTNDL133	0.18 × 3	0.37 × 1	0.91		129	
KTNDL251	0.55 × 1	0.37 × 1	0.92		58	
KTNDL252	0.55 × 2	0.37 × 1	1.47		116	
KTNDL253	0.55 × 3	0.55 × 1	2.2		174	
KTNDL301	0.75 × 1	0.55 × 1	1.3		93	
KTNDL302	0.75 × 2	0.55 × 1	2.05		186	
KTNDL303	0.75 × 3	0.75 × 1	3		279	
KTNDL304	0.75 × 4	0.75 × 1	3.75		372	
KTNDL351	1.1 × 1	0.75 × 1	1.85		126	
KTNDL352	1.1 × 2	0.75 × 1	2.95		252	
KTNDL353	1.1 × 3	1.1 × 1	4.4		378	
KTNDL354	1.1 × 4	1.5 × 1	5.9		504	
KTNDL401	1.5 × 1	1.5 × 1	3		115	
KTNDL402	1.5 × 2	1.5 × 1	4.5		230	
KTNDL403	1.5 × 3	1.5 × 2	7.5	345		
KTNDL404	1.5 × 4	1.5 × 2	9	460		

■ 产品介绍 Introduction

我公司根据叠螺式污泥脱水机的原理，针对市场的需求，开发出了一种新型的污泥浓缩设备—叠螺式污泥浓缩机。叠螺式污泥浓缩机继承了叠螺式污泥脱水机的全程自动连续运行、低能耗、高效率、运行稳定等优良性能，直接将二沉池里的污泥快速连续浓缩。本设备可代替浓缩池使用，减少了占地面积以及土建施工成本，并能有效的减少浓缩池污泥造成的恶臭和磷释放。本设备可作为污泥脱水和深度脱水系统的预处理设备。

According to the principle of screw sludge dewatering machine, we developed a new type of sludge thickening equipment - screw sludge thickener as the demand of market. Screw sludge thickener inherits advantages of screw sludge dewatering machine, like: automatic continuous operation, low energy consumption, high efficiency, running stable and excellent properties, directly concentrate the sludge in secondary sedimentation tank. This equipment can be used instead of concentrated tank, reduces the area as well as the civil engineering construction cost, and effectively reduce stench and phosphorus release of sludge concentration pool. This equipment can be used as pretreatment of sludge dewatering and depth dewatering equipment.

■ 设备原理 Principle

叠螺式污泥浓缩机集搅拌絮凝装置、浓缩主体、集液槽、冲洗装置、电控箱于一体，能实现高效连续、无人运行。

污泥与絮凝剂在搅拌装置里面絮凝成矾花状，自流进浓缩主体。叠螺式污泥浓缩机的浓缩主体主要有螺旋轴，固定环，活动环组成，固定环与活动环交错层叠。螺旋轴旋转带动污泥前进，前进过程中由于容积腔的压缩而使污泥逐渐脱水，最终经落泥口排出，脱水后的滤液通过环片之间的间隙滤出到集液槽。螺旋轴旋转的过程中会带动动环的旋转，因此会形成连续清洗，避免了同类设备的堵塞问题。

Screw sludge thickener sets mixing flocculation device, concentrated subject, integrating liquid trough, flushing device, electric cabinet, it can realize high efficient continuous, unmanned operation.

Sludge and flocculant form alum flower in mixing device, gravity flow into concentrated body. Screw sludge thickener mainly have screw axis, fixed ring and moving ring. The sludge moves with the rotation of screw shaft, dewatered gradually with pressure of cubage cavity and discharge mud cake, the dewatered water flow into sump from the gap of rings. The rotation of screw shaft drives the rings, so forming a continuous washing and avoid congestion.

■ 应用场合 Application

- (1) 适用于市政污水、石油炼化、酿造制革、印染造纸、煤化选矿、生化制药、钢铁酸洗、化工制糖、食品加工、屠宰养殖等各个行业的污泥浓缩或固液分离
 - (2) 作为污泥深度脱水系统的预处理设备，为超高压压榨机、隔膜压滤机等设备配套
 - (3) 替代污泥浓缩池，作为污泥脱水系统的预处理设备
- (1) Suitable for the municipal sewage, oil refining, brewing tanning, printing and dyeing, papermaking, coal dressing, biochemical, pharmaceutical, steel pickling, chemical industry, sugar, food processing and slaughter
 - (2) Worked as depth sludge dewatering pretreatment equipment, ancillary equipment for the ultrahigh pressure press, membrane filter press
 - (3) Replace sludge thickener pool, worked as the pretreatment equipment

■ 产品优点 Advantages

- (1) 浓缩污泥范围广，适用污泥含水率范围95%~99%
 - (2) 浓缩后污泥含水率在90~96%的范围内稳定可调
 - (3) 浓缩效率高，占地面积小
 - (4) 无滤布，自清洗，无堵塞，无需高压反冲洗水
 - (5) 低速运转，低能耗，运行成本低，无振动，无噪音
 - (6) 封闭式作业，减少臭气产生
 - (7) 易损部件少，维修成本低，使用寿命长
 - (8) 全自动控制，连续运行、维护管理简单
- (1) Widely used, suitable for sludge from 95%~99% moisture concentration
 - (2) Sludge moisture concentration ranges from 90~96% after concentrated
 - (3) High efficiency concentration, small space occupation
 - (4) No filter cloth, self-cleaning, no clog, without high pressure backwash water
 - (5) Low speed, low energy consumption, low operating cost, no vibration, no noise
 - (6) Closed operation, reduce the odor
 - (7) Less vulnerable parts, low maintenance cost, long service life
 - (8) Automatic control, continuous operation, simple maintenance and management

典型业绩 Typical Cases

适用于市政污水、食品、饮料、化工、皮革、焊材、造纸、印染制药等行业的污泥。对生物处理池的剩余污泥，加压气浮的含油泥，家禽业的废水等各种各样的活性污泥，都发挥其高性能的特点。

Applicable to many industries:municipal waste water,food industry,beverage industry,chemical industry,welding material making,printing and pharmacy.It has a good performance characteristics on all kinds of activated sludge,such as biological treatment pond sludge,the oil pressure flotation sludge,poultry sludge.

国内业绩代表 Domestic main performance

生物制药 Bio-Pharmaceutical



食品废水 Food Wastewater



石油炼化 Oil Refining



医疗废水 Medical Wastewater



金属废水 Metal Wastewater



印染废水 Printing and dyeing Wastewater



养殖废水 Aquaculture Wastewater



酿造废水 Brewery Wastewater



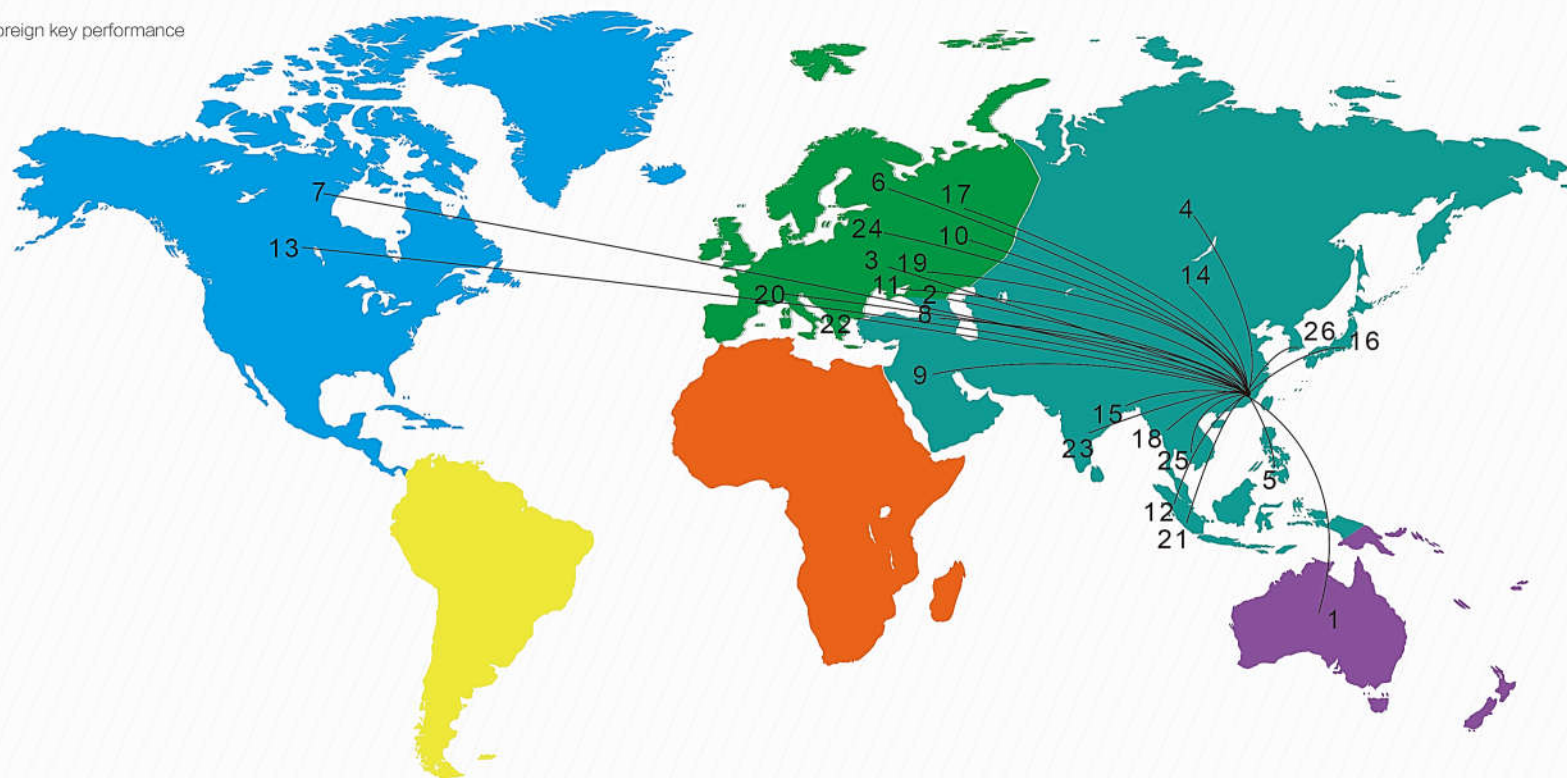
皮革废水 Leather Wastewater



其他废水 The other Wastewater



■ 国外案例业绩 Foreign key performance



- | | | | | | | |
|----------------------|---------------------------|----------------------|--------------------|--------------------|----------------------|-------------------|
| 1 澳大利亚
AUSTRALIA | 5 菲律宾
THE PHILIPPINES | 9 科威特
KUWAIT | 13 美国
AMERICA | 17 瑞典
SWEDEN | 21 新加坡
SINGAPORE | 25 越南
VIETNAM |
| 2 波兰
POLAND | 6 荷兰
HOLLAND | 10 立陶宛
LITHUANIA | 14 蒙古
MONGOLIA | 18 泰国
THAILAND | 22 匈牙利
HUNGARY | 26 韩国
KOREA |
| 3 德国
GERMANY | 7 加拿大
CANADA | 11 罗马尼亚
ROMANIA | 15 孟加拉
BENGAL | 19 乌克兰
UKRAINE | 23 印度
INDIA | |
| 4 俄罗斯
RUSSIA | 8 捷克
CZECH | 12 马来西亚
MALAYSIA | 16 日本
JAPAN | 20 西班牙
SPAIN | 24 英国
ENGLAND | |

服务与支持 Service&Support

依靠全面的售前支持及完善的售后服务体系，康泰可以帮助用户及时有效地解决各种问题。

Relying on the all-around pre-sale technical support and the completed after-sale service system, kintep will solve all kinds of problems for users timely and effectively.

■ 全面的售前支持 All-around Pre-sale Technical Support

在用户购买产品之前，我们的销售人员和技术人员将为您提供全面的咨询服务，根据您在工程建设中的需求向用户推荐最合适的产品。

Before selling the products, our sales staffs and engineers will provide all-round consulting service and help users to choose the most suitable products.

■ 专业的售中服务 Professional In-sale Service

在用户购买产品的过程中，我们为您提供专业优质的售中服务，包括产品选型、工艺优化、来样分析、现场试验方案设计等。

During buying the products, we can provide users professional in-sale Service, including product selection, process optimization, sample analysis, field test and design service etc.

■ 完善的售后服务 Perfect After-sale Service

在用户购买产品之后，可以享有我们完善的售后服务。

After buying our product, customers can get our completed after-sale service.

■ 设备现场调试安装 Installation and Commission on-site

■ 设备操作人员培训 Operator training

■ 免费保修一年 One year free warranty



■ 专业的服务团队 Professional Service Team

我们拥有一批高素质的、具有丰富理论与实践经验的服务支持团队，能够为用户提供有价值的技术服务与支持。

We have a professional and experienced service team, can provide valuable technical service and support.

■ 快速的反应体系 Quick Response System

对于客户各种方式的咨询、反馈和疑问，我们将会在第一时间内向客户提供满意的答复或安排，及时解决产品在使用过程中出现的各种技术问题，保证设备连续、高效运行。

For any consults, feedbacks and questions, we will give a satisfactory responds arrangement at first time, solve technical problems during using process in time, to ensure the equipment operate continuously and effectively.

■ 严格的生产质量控制 Strict manufacturing Quality Control

江苏康泰环保股份有限公司具有雄厚的制造能力，设备制造部拥有标准化的生产车间，配备大型车床、铣床、折弯机、剪板机、激光切割机、氩弧焊等先进的机械加工设备，目前已形成从机械加工、焊接、热处理、到装配、检测等配套齐全的生产体系。同时公司有一批具有丰富实践经验的环保工程师和机械工程师，并在生产管理方面拥有完善的流程控制和管理体系，以通过ISO9001:2008国际质量体系认证。

Kintep has strong capacity of R&D. The production department has standardized workshops and has been equipped with advanced equipment, such as large lathes, milling bending press, cutting plate machine, laser cutting machine and argon arc welding. At present, our company is formed by completes manufacturing system including mechanical processing, welding, heating processing, assembling, inspection, etc.

Meanwhile, Kintep has a group of experienced environment engineers and mechanical engineers that grasp the improved process of control and management system. Moreover, Kintep already possesses the ISO9001:2008 Certificate.



辅助设备 Auxiliary equipment



溶液制备系统
Solution Preparation System



加药装置
Dosing System



转鼓格栅
Spiral Screen



反捞式格栅除污机
Counter Seizing Grate Cleaner



砂水分离器
Sand Separator



循环齿耙式格栅清污机
Circulation Toothed Harrow Mud Cleaner



螺旋输送机
Spiral Conveyor



